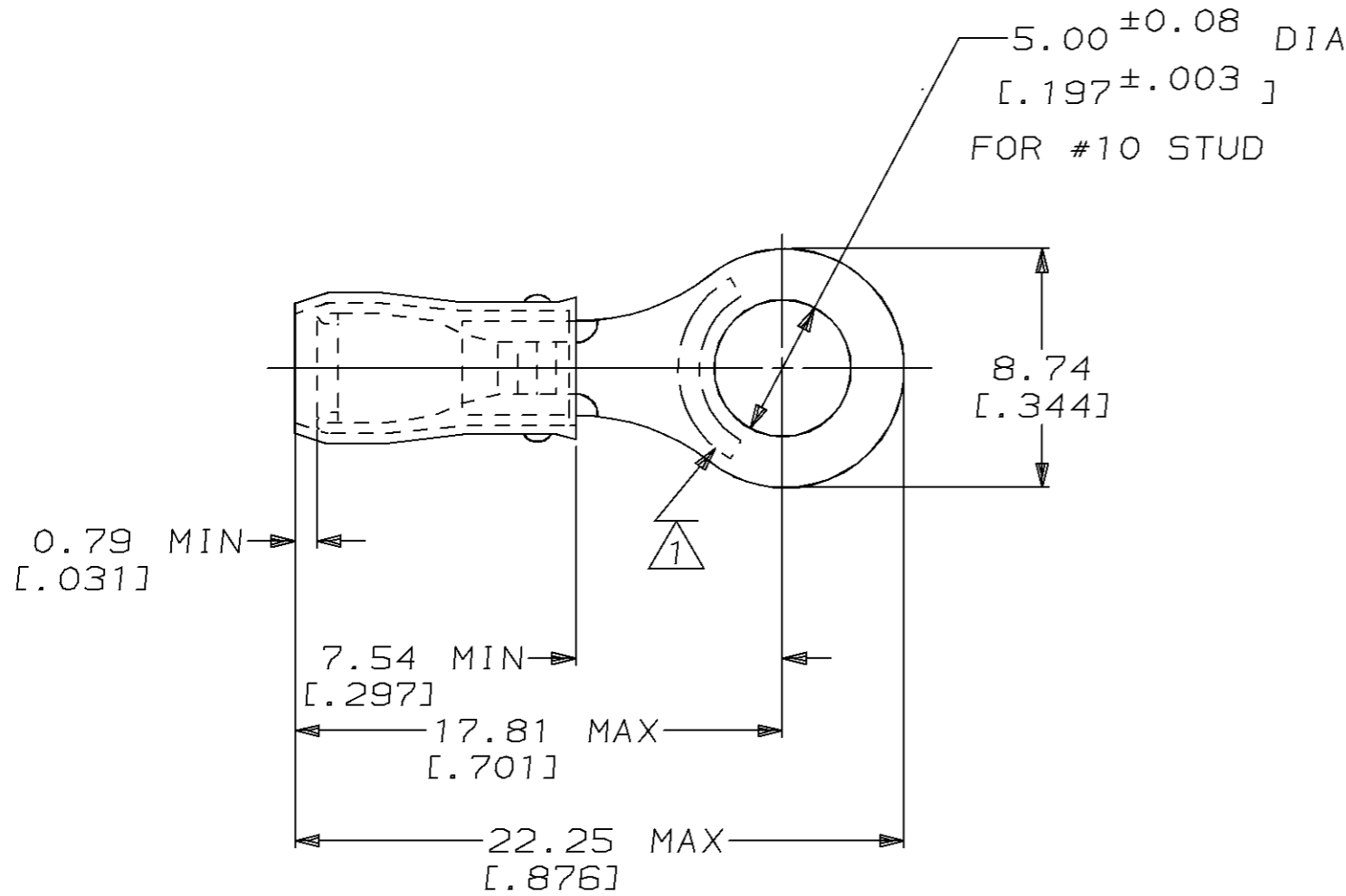


THIS DRAWING IS UNPUBLISHED. RELEASED FOR PUBLICATION, 19 .
 © COPYRIGHT 19 BY AMP INCORPORATED. ALL INTERNATIONAL RIGHTS RESERVED.

LOC	DIST	P	F	REVISIONS				
G	14			ZONE	LTR	DESCRIPTION	DATE	APPD
					H	REV / 0L20-0025-97	27JAN97	ME TM

AMP WIRE RANGE	UL Listed	SR LR7189 Certified
22-16 AWG SOLID OR STRANDED	22-16 AWG SOLID OR STRANDED	22-16 AWG SOLID OR STRANDED



- 1 STAMP AMP 22-18* APPROX AS SHOWN
22-16 TERMINALS ARE STAMPED 22-18 IN
ACCORDANCE WITH MILITARY SPEC MIL-T-7928
COMMERCIAL WIRE RANGE IS 22-16
- 2 WIRE INSULATION DIA: .080 - .125
- 3 TONGUE MATERIAL THK: 0.79^{±0.05} [0.031^{±.002}]

AMP INCORPORATED CUSTOMER SERVICE SYSTEMS		MAX RECOMMENDED OPERATING TEMPERATURE: 105°C MAX		MILITARY P/N AND CLASS		100	LOOSE PIECE, BOX	8-32836-1
FOR ADDITIONAL PRODUCT INFORMATION OR COPIES OF DRAWINGS AND TECHNICAL DOCUMENTS		PRODUCT INFORMATION CENTER 1-800-522-6752		VOLTAGE RATING: 300 V MAX		-	LOOSE PIECE	32836
FOR APPLICATION TOOLING INFORMATION		TOOLING ASSISTANCE CENTER 1-800-722-1111		WIRE CROSS SECTIONAL AREA RANGE: 0.26-1.65mm ² [509-3,260] CIR MILS SOLID OR STRANDED		QUANTITY		PART NO
FOR ORDER ENTRY		1-800-526-5142		THIS DRAWING IS A CONTROLLED DOCUMENT FOR AMP INCORPORATED. IT IS SUBJECT TO CHANGE AND THE CONTROLLING ENGINEERING ORGANIZATION SHOULD BE CONTACTED FOR THE LATEST REVISION.		PACKAGE TYPE		AMP AMP Incorporated Harrisburg, PA 17105-3608
				DO NOT SCALE PRINT. UNLESS SPECIFIED DIMENSIONS IN mm [INCHES] TOLERANCES ON: 2 PLC DEC ± 0.20[.008] 3 PLC DEC ± - ANGLES ± -		NAME		TERMINAL, RING TONGUE, PIDG™, WIRE SIZE, 22-16 AWG
				MATERIAL COPPER ASTM B-152 SLEEVE, RED NYLON		SIZE		B
				FINISH TIN PLATE PER MIL-T-10727		CAGE CODE		00779
						DRAWING NO		C-32836
						SCALE		4:1
						SHEET		1 OF 1